

3M | Macurco™

CM-E1 Carbon Monoxide Detector

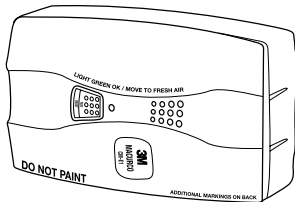
User Instructions for 3M™ Macurco™ CM-E1 Carbon Monoxide (CO) Detector

Détecteur de monoxyde de carbone CM-E1

Directives d'utilisation pour le détecteur de monoxyde de carbone (CO) 3M™ Macurco™ CM-E1

Detector de monóxido de carbono CM-E1

Instrucciones para el Detector de monóxido de carbono (CO) 3M™ Macurco™ CM-E1



Important: These *User Instructions* are to be provided to the homeowner/end user upon product installation. Each person installing or using this equipment must read and understand the information in these *User Instructions* before use. Installation of this equipment by untrained or unqualified persons, or use that is not in accordance with these *User Instructions* may adversely affect product performance and **result in sickness or death**. For proper use see *User Instructions* or call 3M in U.S.A., 1-800-243-4630. In Canada, call Technical Service at 1-800-267-4414.

TABLE OF CONTENTS

GENERAL SAFETY INFORMATION.....	2	MAINTENANCE.....	20
Intended Use.....	2	Testing.....	20
List of Warnings and Cautions.....	2	Cleaning.....	21
USE INSTRUCTIONS AND LIMITATIONS.....	6	Sensor Poisons.....	21
Use For.....	6	3M™ GAS DETECTION PRODUCTS WARRANTY.....	22
Do Not Use For.....	7	FOR MORE INFORMATION.....	22
General Description.....	7		
Features.....	8		
Specifications.....	8		
INSTALLATION AND OPERATION INSTRUCTIONS.....	9		
Location.....	10		
Installation.....	11		
Power Up.....	14		
Operation.....	14		
Alarms.....	15		
Reset/Silence Switch.....	18		
Trouble Indicator.....	19		
Errors.....	19		

GENERAL SAFETY INFORMATION

Intended Use

The CM-E1 is a low voltage (9-32 VDC) detector of Carbon Monoxide (CO). The CM -E1 is designed for connection to UL Listed Fire Alarm/Burglary Control Panels. **NOTE:** Any time the words “Control Panel” or “Alarm Panel” or “Alarm Control Panel” are used in these instructions, they refer to a UL Listed Fire Alarm/Burglary Control Panel. Alarm control panels that work on 12 or 24 VDC can provide battery backup to the CM-E1 detectors. This carbon monoxide detector is designed to detect CO gas from ANY source of combustion. It is NOT designed to detect smoke, fire or any other gas.

List of Warnings and Cautions within these *User Instructions*

WARNING

Each person using this equipment must read and understand the information in these *User Instructions* before use. Use of this equipment by untrained or unqualified persons, or use that is not in accordance with these *User Instructions*, may adversely affect product performance and **result in sickness or death**. For proper use see *User Instructions*, or call 3M in U.S.A., 1-800-243-4630. In Canada, call Technical Service at 1-800-267-4414.

Use only for monitoring the gas which the sensor and detector are designed to monitor. Failure to do so may result in exposures to gases not detectable and **cause sickness or death**. For proper use see *User Instructions*, or call 3M in U.S.A., 1-800-243-4630. In Canada, call Technical Service at 1-800-267-4414.

 **WARNING**

Do not cover or obstruct audible alarm opening or visual alarm LED. Doing so may adversely affect product performance and **result in sickness or death.**

Do not disassemble unit or attempt to repair or modify any component of this detector. This detector contains no user serviceable parts, and substitution of components may adversely affect product performance and **result in sickness or death.**

This detector helps monitor for the presence and concentration level of carbon monoxide gas. Misuse may produce an inaccurate reading, which means that higher levels of the gas being monitored may be present and could result in overexposure and **cause sickness or death.** For proper use, see supervisor or *User Instructions*, or call 3M in U.S.A., 1-800-243-4630. In Canada, call Technical Service at 1-800-267-4414.

When the unit is turned on it performs a self-test, which activates the audible and visual alarms. If the self-test fails, or all the alarms do not activate, do not use. Failure to do so may adversely affect product performance and **result in sickness or death.**

Immediately exit the environment if it causes an alarm condition on the detector. **Failure to do so may result in sickness or death.**

UL 2034

CM-E1 may not function effectively below 40°F (4.4°C) or above 100°F (37.8°C). Using the detector outside of this temperature range may adversely affect product performance and **result in sickness or death.**

This product is intended for use in ordinary indoor locations of family living units and office workspaces. The CM-E1 is not designed to measure compliance with Occupational Safety and Health Administration (OSHA) commercial or industrial standards.

To help avoid false alarms, the CM-E1 is not intended for low level detection (below 30 ppm) of carbon monoxide, per UL 2034.

Individuals with certain medical problems may consider using warning devices that provide audible and visual signals for carbon monoxide concentrations below 30 ppm.

The following symptoms are related to CARBON MONOXIDE POISONING and should be discussed with ALL members of the household:

Mild exposure: Slight headache, nausea, vomiting, fatigue (often described as “Flu-like” symptoms).

Medium Exposure: Severe throbbing headache, drowsiness, confusion, fast heart rate.

Extreme Exposure: Unconsciousness, convulsions, cardio respiratory failure, and death.

Many cases of reported CARBON MONOXIDE POISONING indicate that while victims are aware they are not well, they become so disoriented they are unable to save themselves by either exiting the building or calling for assistance. Young children and household pets may be the first affected.

Transient CO situations can occur in the following situations:

1. Excessive spillage or reverse venting of fuel burning appliances caused by outdoor ambient conditions, such as:
 - a) Wind direction and/or velocity, including high gusts of wind. Heavy air in the vent pipes (cold/humid air with extended periods between cycles).
 - b) Negative pressure differential resulting from the use of exhaust fans.
 - c) Simultaneous operation of several fuel-burning appliances competing for limited internal air.
 - d) Vent pipe connections vibrating loose from clothes dryers, furnaces, or water heaters.
 - e) Obstruction or unconventional vent pipe designs, which can amplify the above situations.
2. Extended operation of un-vented fuel burning devices (range, oven, fireplace, etc.).
3. Temperature inversions, which can trap, exhaust gasses near the ground.
4. Car idling in an open or closed attached garage, or near a home.

CAUTION: This detector will only indicate the presence of carbon monoxide gas at the sensor. Carbon monoxide gas may be present in other areas. Accommodation spaces should be well ventilated when household cleaning supplies or similar contaminants are used.

CAUTION

- Avoid the use of harsh cleaning materials, abrasives and other organic solvents. Such materials may permanently scratch the surface, damage the sensor, labels, or instrument housing.
 - If you have any doubts about the applicability of the equipment to your job situation, consult an industrial hygienist or call 3M at 1-800-243-4630. In Canada, call Technical Service at 1-800-267-4414.
-

USER INSTRUCTIONS AND LIMITATIONS

WARNING

Each person using this equipment must read and understand the information in these *User Instructions* before use. Use of this equipment by untrained or unqualified persons, or use that is not in accordance with these *User Instructions*, may adversely affect product performance and **result in sickness or death**. For proper use, see supervisor or *User Instructions*, or call 3M in U.S.A., 1-800-243-4630. In Canada, call Technical Service at 1-800-267-4414.

Use For

The CM-E1 is a low voltage (9-32 VDC) detector of Carbon Monoxide (CO). The CM -E1 is designed for connection to UL Listed Fire Alarm/Burglary Control Panels. Alarm control panels that work on 12 or 24 VDC can provide battery backup to the CM-E1 detectors. This carbon monoxide detector is designed to detect CO gas from ANY source of combustion.

WARNING

Use only for monitoring the gas which the sensor and detector are designed to monitor. Failure to do so may result in exposures to gases not detectable and **cause sickness or death**. For proper use, see supervisor or *User Instructions*, or call 3M in U.S.A., 1-800-243-4630. In Canada, call Technical Service at 1-800-267-4414.

Do Not Use For

The CM-E1 is NOT intended for use in industrial applications such as refineries, chemical plants, etc. The CM-E1 is NOT intended for use in parking garages as the controller of exhaust systems. Do NOT use the CM-E1 for monitoring gases other than Carbon Monoxide (CO). The CM-E1 is NOT designed to detect smoke, fire or any other gas. Do NOT mount the unit in the garage. Do NOT mount the CM-E1 where the normal ambient temperature is below 40°F (4.4°C) or exceeds 100°F (37.8°C), or within 5 feet (1.5 meters) of a cooking or heating appliance. The Alarm Control Panel must be dedicated to CO detection or have alarm devices that provide a distinctive alarm for carbon monoxide detection. Do not connect the CM-E1 to Fire Alarm Circuits.

WARNING

CM-E1 may not function effectively below 40°F (4.4°C) or above 100°F (37.8°C). Using the detector outside of this temperature range may adversely affect product performance and result in sickness or death. (UL 2034)

General Description

The CM-E1 is for use with UL Listed Fire Alarm/Burglary Control Panels that have 12 to 24 VDC power and 12 to 24 VDC alarm initiating circuits. The CM-E1 is intended for installation in buildings in non-hazardous locations such as residences, retail stores, office buildings, and institutional buildings.

Features

- **Listed to UL** standard 2075 for the Standard For Safety for Gas and Vapor Detector and Sensors.
- **Tested to UL 2075** using UL 2034 Sensitivity limits for carbon monoxide gas.
- Surface mounts to a wall using the supplied enclosure rear housing.
- Flush mounts in a 2 x 4 inch (1-1/2 inch deep minimum) [5.08 cm x 10.16 cm (3.81 cm deep minimum)] single gang switch, or handy electrical box.
- Small, low profile, attractive unit in a white plastic case.
- Detector alarms at multiple levels of exposure to **carbon monoxide** based on time weighted averages of the gas present.
- Inexpensive, easy to install. Microcomputer control allows mostly automatic operation.
- Test & Reset switch conducts internal tests and actuates alarm relay.
- Visual display: GREEN - Normal operation.
- FLASHING AMBER - Trouble Contact your installer or 3M Technical Support
- RED - Danger! Move to fresh air (hazardous condition is present.)
- Highly linear electrochemical sensor
- N.O. or N.C. SPST Alarm Relay and N.C. SPST Trouble relay to connect to Alarm Control Panels
- Buzzer: Produces repeating loud tone bursts during alarm, and chirps if sensor trouble is found.

Specifications

- Voltage: 9-32 VDC
- Current (normal / alarm): 15mA / 35mA @ 9-32V

- Size: 3-1/8 x 5-1/8 x 1-1/2 inch (7.94 x 13.02 x 3.81 cm)
- Alarm Relay: SPST, 100mA, 40VDC
- Trouble Relay: SPST 100mA, 40VDC
- Buzzer Rating: 85 dBA at 10 Feet
- Shipping Weight: One pound
- Operating Temp. Range: 40°F (4.4°C) to 100° F (37.8°C)
- Alarm Setting: Per UL 2034
- Color: White
- Designed for use with a UL Listed Fire Alarm/Burglary Control Panel

INSTALLATION AND OPERATION INSTRUCTIONS

The following instructions are intended to serve as a guideline for the use of the 3M™ Macurco™ CM-E1 Carbon Monoxide Detector. It is not to be considered all-inclusive, nor is it intended to replace the policy and procedures for each facility.

WARNING

This detector helps monitor for the presence and concentration level of carbon monoxide gas. Misuse may produce an inaccurate reading, which means that higher levels of the gas being monitored may be present and could result in overexposure and **cause sickness or death**. For proper use, see supervisor or *User Instructions*, or call 3M in U.S.A., 1-800-243-4630. In Canada, call Technical Service at 1-800-267-4414.

Location

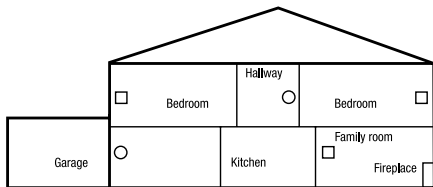
There are two usual sources of CO in homes -- defective heat sources (furnaces or wood burning stoves) and automobiles running in adjoining garages. The CM-E1 can detect CO from these sources, as well as any other sources of CO.

For best operation, mount a CM-E1 in the hallway near each bedroom area. In addition, another CM-E1 may be mounted just inside the door from the adjoining garage. Consider placing another detector in a bedroom that is adjacent to a furnace room.



WARNING

This product is intended for use in ordinary indoor locations of family living units and office workspaces. The CM-E1 is not designed to measure compliance with Occupational Safety and Health Administration (OSHA) commercial or industrial standards. (UL 2034)

Do NOT mount the unit in the garage. Do NOT mount the CM-E1 where the normal ambient temperature is below 40°F (4.4°C) or exceeds 100°F (37.8°C), or within 5 feet (1.5 meters) of a cooking or heating appliance.



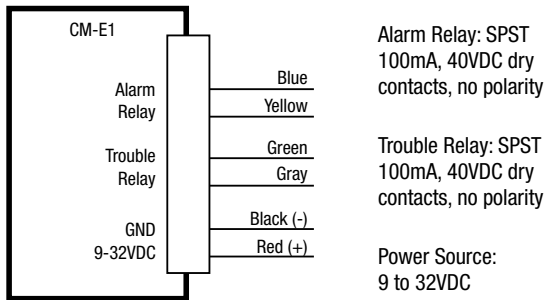
LOCATION NOTES

1.  Normal CM-E1 location
2.  Alternate CM-E1 location
3. Do NOT mount the CM-E1 within 5 feet (1.5 m) of any cooking appliance

Installation

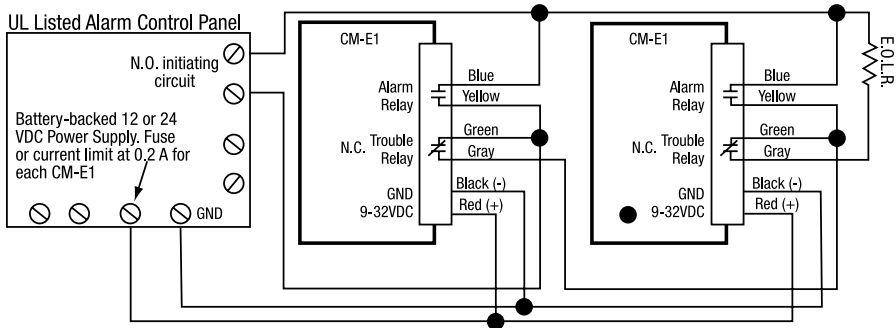
1. As shipped, the CM-E1 faceplate is mounted on the enclosure's rear-housing component. This enclosure configuration allows the unit to be surface mounted flush on a wall. Wiring is routed through an access area on the base of the rear housing.
2. A thin mid-plate enclosure component is also supplied with the CM-E1. Using the supplied screws, this mid-plate component is used to mount the CM-E1 on a 2 x 4 inch (5.08 cm x 10.16 cm) switch box - single-gang or "handy", provided by the installer. The CM-E1's faceplate component (with the detector attached) is then mounted on the mid-plate component.
3. The detector may be installed on either a ceiling or a wall. If installed on a peaked, gabled, or sloped ceiling, it should be located about 3 feet (1 meter) from the highest point. The unit can be placed vertically or horizontally on a wall, so the information on the front of the CM-E1 can be read in a normal manner (not upside down). Do NOT mount the CM-E1 in a corner. Use the same spacing as for smoke detectors-- 30 foot (9 meters) centers, 900 sq. feet (83 sq. meters) per detector.
4. Electrical connections to the CM-E1 are made via the supplied six-conductor pigtail cable. The pigtail cable is first connected to the control panel wiring by means of the supplied wire-nuts (refer to the diagrams for proper pigtail wiring). The pigtail cable's connector then snaps into the mating connector on the back of the CM-E1 detector, allowing easy installation and replacement of the CM-E1. For proper detector operation, ensure that the CM-E1 is connected to a **continuous** source of power (not controlled by a wall switch). The CM-E1 current draw figures represent worst-case conditions and will **not** vary as the applied DC voltage varies.
5. The alarm control panel zone inputs must be terminated with end of line resistors (E.O.L.R.), which are provided with the panel.
6. When using the CM-E1 with normally closed initiating circuits, remove the jumper.

7. See wiring diagram for information below on connections of the CM-E1. 3M Macurco recommends a minimum of 22 AWG wire for runs up to 200 ft. (60.96 m), and 18 AWG wire for longer runs.



Note: There is a jumper on the PCA to change the alarm output. Remove the jumper for N.C. or leave the jumper in place for N.O.

Typical connection of two CM-E1 detectors to an alarm control panel



The relay of the CM-E1 is a dry contact and rated at 100mA, 40VDC. It is **not suitable for fan control** use. When connecting the units to remote buzzers or other devices (all buzzers or "other devices" must be UL approved), make sure that the load does not exceed the relay's rating. External buzzers must be capable of generating a sound output greater than 85 dBA at 10 ft (3.048 m).

WARNING

When the unit is turned on it performs a self-test, which activates the audible and visual alarms. If the self-test fails, or all the alarms do not activate, do not use. Failure to do so may adversely affect product performance and **result in sickness or death.**

When the detector is first powered, the status light will alternate between RED and GREEN as the unit performs a 2-1/2 minute warm-up cycle and self-test procedure. The buzzer on the CM-E1 will cycle once, emitting its characteristic 4-chirp tone. At the end of this 2-1/2 minute cycle, the status light will turn GREEN to indicate normal operation and safe air. The alarm relay is not energized during the 2-1/2 minute warm-up cycle.

Operation

The CM-E1 continuously monitors the ambient air at the sensor. If the CM-E1 measures levels of CO greater than the danger level, the RED light will turn on, the Alarm Relay will switch to actuate the alarm circuits in the control panel, and the buzzer on CM-E1 units will sound. The CM-E1 is programmed to alarm if the danger levels of carbon monoxide are exceeded, which are time and concentration-related. The alarm points are: 70 ppm of CO after 60 to 240 minutes, 150 ppm of CO after 10 to 50 minutes, and 400 ppm of CO after 4 to 15 minutes, in accordance with the provisions of UL Standard 2034.

 **WARNING**

Individuals with certain medical problems may consider using warning devices that provide audible and visual signals for carbon monoxide concentrations below 30 ppm. (UL 2034)

Alarms

 **WARNING**

Immediately exit the environment if it causes an alarm condition on the detector. **Failure to do so may result in sickness or death.**

INSTALLER NOTE: It is required that the following UL information below be posted near the control/alarm panel or a copy provided to the customer.



WARNING: Actuation of your CO alarm indicates the presence of carbon monoxide (CO) which can KILL YOU. If alarm signal sounds:

- 1) Operate the reset/silence button;
- 2) Call your emergency services (_____) [fire department or 911];
- 3) Immediately move to fresh air - outdoors or by an open door/window. **DO A HEAD COUNT TO CHECK THAT ALL PERSONS ARE ACCOUNTED FOR - DO NOT RE-ENTER PREMISES NOR MOVE AWAY FROM THE OPEN DOOR/ WINDOW UNTIL THE EMERGENCY SERVICES RESPONDERS HAVE ARRIVED, THE PREMISES HAS BEEN AIRED OUT, AND THE ALARM REMAINS IN ITS NORMAL CONDITION**
- 4) After following steps 1–3, if your alarm reactivates within a 24-hour period, repeat steps 1–3 and call a qualified technician (_____) to investigate for sources of CO from fuel burning equipment and appliances, and inspect for proper operation of this equipment. If problems are identified during this inspection, have the equipment serviced immediately. Note: Any combustion equipment not inspected by the technician, consult the manufacturers' instructions or contact the manufacturer directly for more information about CO safety and the equipment. Make sure that motor vehicles are not, and have not been operating in an attached garage or adjacent to the residence. (UL 2034)

WARNING

The following symptoms are related to CARBON MONOXIDE POISONING and should be discussed with ALL members of the household:

- Mild exposure: Slight headache, nausea, vomiting, fatigue (often described as “Flu-like” symptoms).
- Medium Exposure: Severe throbbing headache, drowsiness, confusion, fast heart rate.
- Extreme Exposure: Unconsciousness, convulsions, cardio respiratory failure, and death.

Many cases of reported CARBON MONOXIDE POISONING indicate that while victims are aware they are not well, they become so disoriented they are unable to save themselves by either exiting the building or calling for assistance. Young children and household pets may be the first affected.

Transient CO situations can occur:

1. Excessive spillage or reverse venting of fuel burning appliances caused by outdoor ambient conditions, such as:
 - a) Wind direction and/or velocity, including high gusts of wind. Heavy air in the vent pipes (cold/humid air with extended periods between cycles).
 - b) Negative pressure differential resulting from the use of exhaust fans.
 - c) Simultaneous operation of several fuel-burning appliances competing for limited internal air.
 - d) Vent pipe connections vibrating loose from clothes dryers, furnaces, or water heaters.
 - e) Obstruction or unconventional vent pipe designs, which can amplify the above situations.
2. Extended operation of un-vented fuel burning devices (range, oven, fireplace, etc.).
3. Temperature inversions, which can trap, exhaust gasses near the ground.
4. Car idling in an open or closed attached garage, or near a home.

(UL 2034)

The CM-E1 will automatically come out of alarm once the air clears. The time to stop alarming will depend on the CO exposure time and the CO level.

Reset/Silence Switch

The switch on the front of the CM-E1 labeled “TEST/RESET,” performs three functions.

- 1.) A short press of switch, less than 5 seconds, will place the unit into self test mode with no alarm relay activation. The buzzer will sound for two complete alarm cycles, the status light will turn red for 5 seconds and then it will alternate slowly between green and amber while the self-test executes. The controlling software simulates a 3000 ppm CO environment and causes the unit to alarm after approximately one minute has elapsed. When this happens, the status light turns red and the buzzer will sound two complete alarm cycles. The unit will then return to normal operation.
- 2.) A long press of switch, 5 or more seconds long, will place the unit into self-test mode with alarm relay activation. Pressing and holding the switch will cause the buzzer to sound for two complete alarm cycles and status light to turn red for 5 seconds and then switch to solid amber. The alarm relay will then be activated and the switch can be released. After about 5 seconds, the alarm relay will turn off and the status light will alternate slowly between green and amber while the self test executes. The controlling software simulates a 3000 ppm CO environment and causes the unit to alarm after approximately one minute has elapsed. When this happens, the status light turns red and the buzzer will sound two complete alarm cycles. The unit will then return to normal operation.
- 3.) If the CM-E1 is in an alarm condition due to the detection of carbon monoxide, one push of the switch will cause the alarm buzzer to mute for five minutes. After the five-minute period, if CO is still present, the status light will again switch to RED, the alarm relay will close and the buzzer will sound. If after the five-minute period, the detected CO level has dropped below 70 ppm, the CM-E1 unit will reset.

WARNING

Do not cover or obstruct audible alarm opening or visual alarm LED. Doing so may adversely affect product performance and **result in sickness or death.**

Trouble Indicator

Internal failure of the CM-E1 will cause an open circuit in the normally closed (NC) Trouble Relay to provide for actuation of the control panel circuits. The status LED will flash AMBER and the CM-E1 buzzer will emit a short “chirp” every 50 seconds. See ERRORS below. The CM-E1 microprocessor continuously monitors various detector parameters. Failure of the CM-E1’s internal power supply or a lack of power to the detector will result in the status light remaining OFF (not illuminated). In this case, the most common cause of detector trouble would be a break in the wiring between the control panel and the CM-E1.

Errors

The CM-E1 continuously monitors various internal operating parameters. If a problem is found, the unit will switch to Trouble mode. See TROUBLE INDICATOR above. To reset the unit for normal operation, press the TEST/RESET switch, or remove power to the unit, wait a few seconds, then re-apply unit power. If this problem persists, your detector requires repair; contact the alarm panel installer or 3M Macurco Tech Support for advice. If repair is required, return the unit to manufacturer to comply with warranty.

MAINTENANCE

WARNING

Do not disassemble unit or attempt to repair or modify any component of this detector. This detector contains no user serviceable parts, and substitution of components may adversely affect product performance and **result in sickness or death.**

The CM-E1 has a highly linear electrochemical sensor. The CM-E1 has an expiry function associated with the production date which will cause the unit to go into a Trouble Fault when the sensor has expired. All maintenance and repair of products manufactured by 3M™ Macurco™ are to be performed at the 3M Macurco Service Center. 3M Macurco does not sanction any third-party repair facilities.

Testing

The CM-E1 should be tested monthly by pushing the TEST/RESET switch; see TEST/RESET switch, above. Normally this will be the only test required for the CM-E1 and is the recommended way to test the unit or units after installation. All CM-E1 units are factory calibrated and 100% tested for proper operation. The unit also has the ability to automatically self test and does so every 2 1/2 minute cycle. If the unit detects an improper voltage or inoperable component it will default into Trouble mode. See TROUBLE INDICATOR above. Check that the CM-E1 status indicator light is illuminated, (GREEN) continuously. If not, do not proceed with the tests. Though there is no field calibration procedure for this unit, there is an optional field test procedure.

Cleaning

The CM-E1 should be cleaned using the soft brush attachment of your vacuum cleaner. The CM-E1 should be tested after cleaning to ensure the unit is operating normally.

Sensor Poisons

The gas sensor in the detector is designed with extreme sensitivity to the environment. As a result, the CO sensor may be damaged if it is exposed to a direct spray from aerosols such as paints, silicone vapors, etc., or to a high density of corrosive gases such as hydrogen sulfide or sulfur dioxide for an extended period of time. The sensor may react to chemicals such as ammoniated cleaning agents, volatile solvents and hydrogen gas. In sufficient concentration, these chemicals may cause a false alarm.

CAUTION: This detector will only indicate the presence of carbon monoxide gas at the sensor. Carbon monoxide gas may be present in other areas. Accommodation spaces should be well ventilated when household cleaning supplies or similar contaminants are used. (UL 2034)

3M FIXED GAS DETECTION PRODUCTS LIMITED WARRANTY

3M warrants the CM-E1 gas detector will be free from defective materials and workmanship for a period of two (2) years from date of manufacture (indicated on the inside cover of the CM-E1), provided it is maintained and used in accordance with 3M instructions and/or recommendations. If any component becomes defective during the warranty period, it will be replaced or repaired free of charge, if the unit is returned in accordance with the instructions below. This warranty does not apply to units that have been altered or had repair attempted, or that have been subjected to abuse, accidental or otherwise. The above warranty is in lieu of all other express warranties, obligations or liabilities. **THE IMPLIED WARRANTIES OF MERCHANTABILITY AND FITNESS FOR PARTICULAR PURPOSE ARE LIMITED TO A PERIOD OF TWO (2) YEARS FROM THE PURCHASE DATE.** 3M Macurco shall not be liable for any incidental or consequential damages for breach of this or any other warranty, express or implied, arising out of or related to the use of said gas detector. Manufacturer or its agent's liability shall be limited to replacement or repair as set forth above. Buyer's sole and exclusive remedies are return of the goods and repayment of the price, or repair and replacement of non-conforming goods or parts.

FOR MORE INFORMATION

In United States, contact:

Website: www.3M.com/OccSafety

Technical Assistance: 1-800-237-9049

For other 3M products:

1-800-3M-HELPS or 1-651-737-6501

Important : Les présentes *Directives d'utilisation* doivent être fournies au propriétaire occupant/à l'utilisateur final lors de l'installation du produit. Chaque installateur ou utilisateur de ce matériel doit lire et comprendre les présentes *Directives d'utilisation* avant son utilisation. L'installation de ce matériel par des personnes qui n'ont pas reçu la formation nécessaire ou qui n'ont pas les qualifications requises, ou l'utilisation non conforme aux présentes *Directives d'utilisation*, peut nuire au bon fonctionnement du produit et **provoquer des problèmes de santé ou la mort**. Pour tout renseignement sur l'utilisation adéquate de ce produit, consulter les *Directives d'utilisation* ou communiquer, au Canada, avec le Service technique de 3M au 1 800 267-4414.

TABLE DES MATIÈRES

RENSEIGNEMENTS GÉNÉRAUX SUR LA SÉCURITÉ.....	26	Fonctionnement.....	40
Usage prévu.....	26	Alarmes.....	41
Liste des mises en garde et des avertissements.....	26	Interrupteur Réinitialisation/Sourdine.....	44
DIRECTIVES ET LIMITES D'UTILISATION.....	30	Indicateur De Panne.....	45
Usage prévu.....	31	Erreurs.....	46
Ne pas utiliser.....	31	ENTRETIEN.....	46
Description générale.....	32	Essai.....	47
Caractéristiques.....	33	Nettoyage.....	47
Spécifications.....	34	Produits Susceptibles d'endommager le Capteur.....	48
DIRECTIVES D'INSTALLATION ET D'UTILISATION.....	34	LIMITÉE DES PRODUITS DE	
Emplacement.....	35	DÉTECTION DE GAZ FIXES 3M.....	48
Installation.....	36	POUR OBTENIR DE PLUS AMPLES RENSEIGNEMENTS.....	49
Mise sous tension.....	40		

RENSEIGNEMENTS GÉNÉRAUX SUR LA SÉCURITÉ

Usage prévu

Le détecteur CM-E1 est un détecteur de monoxyde de carbone (CO) basse tension (9-32 VCC). Le détecteur CM -E1 est conçu pour être raccordé à un système de tableau de commande d'alarme répertorié UL - incendie ou vol. **REMARQUE :** Chaque fois que les expressions « Tableau de commande », « Tableau d'alarme » ou « Tableau de commande d'alarme » sont utilisées dans les présentes directives, elles font référence au tableau de commande d'alarme répertorié UL - incendie ou vol. Les tableaux de commande d'alarme qui fonctionnent sur une alimentation 12 ou 24 VCC peuvent servir de batterie de secours aux détecteurs CM-E1. Le présent détecteur est conçu pour détecter le monoxyde de carbone (CO), QUELLE QUE SOIT la source de combustion. Il N'EST PAS conçu pour détecter la fumée, les incendies ni tout autre gaz.

Liste des mises en garde et des avertissements énoncés dans les présentes *Directives d'utilisation*

MISE EN GARDE

Chaque utilisateur de ce matériel doit lire et comprendre les présentes *Directives d'utilisation* avant son utilisation. L'utilisation de ce matériel par des personnes qui n'ont pas reçu la formation nécessaire ou qui n'ont pas les qualifications requises, ou l'utilisation non conforme aux présentes *Directives d'utilisation*, peut nuire au bon fonctionnement du produit et **provoquer des problèmes de santé ou la mort**. Pour tout renseignement sur l'utilisation adéquate de ce produit, consulter les *Directives d'utilisation* ou communiquer, au Canada, avec le Service technique de 3M au 1 800 267-4414.

MISE EN GARDE

N'utiliser ce capteur et ce détecteur que pour la surveillance des gaz pour lesquels ils sont conçus. Tout manquement à ces directives peut se traduire par l'exposition à des gaz non détectables et **provoquer des problèmes de santé ou la mort**. Pour tout renseignement sur l'utilisation adéquate de ce produit, consulter les *Directives d'utilisation* ou communiquer, au Canada, avec le Service technique de 3M au 1 800 267-4414.

Ne pas couvrir ni obstruer l'ouverture de l'alarme sonore ou la DEL de l'alarme visuelle, au risque de nuire au bon fonctionnement du produit et de **provoquer des problèmes de santé ou la mort**.

Ne pas démonter l'appareil ni tenter d'en réparer ou d'en modifier les composants. Ce détecteur ne contient pas de pièces pouvant être réparées par l'utilisateur, et le remplacement des composants risque de nuire au bon fonctionnement du produit et de **provoquer des problèmes de santé ou la mort**.

Ce détecteur permet de détecter la présence et la concentration de monoxyde de carbone. Une mauvaise utilisation peut produire des lectures inexactes, ce qui signifie qu'il peut y avoir une concentration plus élevée du gaz détecté dans l'air, ce qui risque d'entraîner une surexposition et de **provoquer des problèmes de santé ou la mort**. Pour tout renseignement sur l'utilisation adéquate de ce produit, consulter son superviseur, lire les *Directives d'utilisation* ou communiquer, au Canada, avec le Service technique de 3M au 1 800 267-4414.

Lorsque l'appareil est mis en marche, il effectue un auto-test, ce qui active les alarmes sonore et visuelle. En cas d'échec de l'auto-test, ou si les alarmes ne s'activent pas toutes, ne pas utiliser l'instrument. Tout manquement à ces directives peut nuire au bon fonctionnement du produit et **provoquer des problèmes de santé ou la mort**.

MISE EN GARDE

Quitter immédiatement l'environnement si celui-ci entraîne le déclenchement de l'alarme du détecteur. **Tout manquement à ces directives peut provoquer des problèmes de santé ou la mort.**

UL 2034

Le détecteur CM-E1 peut ne pas fonctionner efficacement à des températures inférieures à 4,4°C (40°F) ou supérieures à 37,8°C (100°F). L'utilisation du détecteur au-delà de cette plage de températures peut nuire au bon fonctionnement du produit et **provoquer des problèmes de santé ou la mort.**

Ce produit est conçu pour être utilisé à l'intérieur, à des emplacements courants, dans les unités résidentielles et les bureaux. Le détecteur CM-E1 n'est pas conçu pour évaluer la conformité aux normes de l'OSHA, et aux normes industrielles ou commerciales de la Loi sur la santé et la sécurité du travail.

Pour réduire les fausses alarmes, veuillez noter que le détecteur CM-E1 n'est pas conçu pour détecter les concentrations de monoxyde de carbone (inférieures à 30 ppm), conformément à la norme UL 2034.

Les individus ayant des problèmes de santé peuvent envisager d'utiliser des dispositifs d'avertissement fournissant des signaux sonore et visuel lorsque les concentrations de monoxyde de carbone sont inférieures à 30 ppm.

Les symptômes suivants sont liés à une INTOXICATION AU MONOXYDE DE CARBONE et il est important d'en discuter avec TOUS les membres du foyer :

Faible exposition : Mal de tête léger, nausée, vomissements, fatigue (symptômes souvent semblables à ceux de la grippe).

Exposition moyenne : Mal de tête tenace avec sensations de battements, somnolence, confusion, pouls rapide.

Exposition très importante : Évanouissement, convulsions, arrêt respiratoire et mort.

De nombreux cas rapportés d'INTOXICATION AU MONOXYDE DE CARBONE indiquent que même si les victimes sont conscientes du fait qu'elles ne se sentent pas bien, leur désorientation est telle qu'elles sont incapables d'agir et de quitter les lieux ou encore d'appeler au secours, au risque de perdre la vie. Les jeunes enfants et les animaux de compagnie peuvent être les premiers touchés.

La présence de monoxyde de carbone peut être relevée dans les situations ponctuelles suivantes :

1. Rejets excessifs ou ventilation inversée des appareils de combustion causés par des conditions météorologiques ou autres, telles que :
 - a) Direction et/ou vitesse du vent, y compris fortes rafales de vent. Air lourd dans les tuyaux de ventilation (air froid/humide avec périodes prolongées entre les cycles).
 - b) Pression différentielle négative résultant de l'utilisation de ventilateurs aspirants.
 - c) Fonctionnement simultané de plusieurs appareils de combustion et manque d'air interne.
 - d) Raccordements des tuyaux de ventilation de sècheuses, d'appareils de chauffage et de chauffe-eau desserrés du fait des vibrations.
 - e) Obstruction ou utilisation de types de tuyaux de ventilation non conventionnels pouvant amplifier les situations susmentionnées.
2. Fonctionnement prolongé d'appareils de combustion non-ventilés (cuisinière, four, cheminée, etc.).
3. Inversions de température pouvant retenir les gaz d'échappement au niveau du sol.
4. Voiture tournant au ralenti dans un garage, ouvert ou fermé, attendant ou à proximité de la maison.

MISE EN GARDE : Ce détecteur n'indique que la présence de monoxyde de carbone au niveau du capteur. Le monoxyde de carbone peut être présent dans d'autres zones. Les locaux d'habitation doivent être bien ventilés lorsque des produits de nettoyage ménagers ou d'autres produits polluants sont utilisés.

AVERTISSEMENT

- Éviter d'utiliser des agents de nettoyage puissants, des abrasifs et d'autres solvants organiques. Ces produits peuvent rayer la surface et endommager le capteur, les étiquettes ou le boîtier de l'instrument, de façon permanente.
 - S'il y a des doutes concernant l'utilisation du matériel dans le cadre de votre travail, consulter un hygiéniste industriel ou communiquer avec le Service technique de 3M, au Canada, au 1 800 267-4414.
-

DIRECTIVES ET LIMITES D'UTILISATION

MISE EN GARDE

Chaque utilisateur de ce matériel doit lire et comprendre les présentes *Directives d'utilisation* avant son utilisation. L'utilisation de ce matériel par des personnes qui n'ont pas reçu la formation nécessaire ou qui n'ont pas les qualifications requises, ou l'utilisation non conforme aux présentes *Directives d'utilisation*, peut nuire au bon fonctionnement du produit et **provoquer des problèmes de santé ou la mort**. Pour tout renseignement sur l'utilisation adéquate de ce produit, consulter son superviseur, lire les *Directives d'utilisation* ou communiquer, au Canada, avec le Service technique de 3M au 1 800 267-4414.

Usage prévu

Le détecteur CM-E1 est un détecteur de monoxyde de carbone (CO) basse tension (9-32 VCC). Le détecteur CM -E1 est conçu pour être raccordé aux tableaux de commande d'alarme répertoriés UL - incendie ou vol. Les tableaux de commande d'alarme qui fonctionnent sur une alimentation 12 ou 24 VCC peuvent servir de batterie de secours aux détecteurs CM-E1. Le présent détecteur est conçu pour détecter le monoxyde de carbone, QUELLE QUE SOIT la source de combustion.

MISE EN GARDE

N'utiliser ce capteur et ce détecteur que pour la surveillance des gaz pour lesquels ils sont conçus. Tout manquement à ces directives peut se traduire par l'exposition à des gaz non détectables et **provoquer des problèmes de santé ou la mort**. Pour tout renseignement sur l'utilisation adéquate de ce produit, consulter son superviseur, lire les *Directives d'utilisation* ou communiquer, au Canada, avec le Service technique de 3M au 1 800 267-4414.

Ne pas utiliser

Le détecteur CM-E1 N'EST PAS conçu pour les applications industrielles telles que les raffineries, les usines de produits chimiques, etc. Le détecteur CM-E1 N'EST PAS conçu pour être utilisé dans les garages de stationnement couverts en tant que dispositif de contrôle des gaz d'échappement. NE PAS utiliser le détecteur CM-E1 pour détecter des gaz autres que le monoxyde de carbone (CO). Le détecteur CM-E1 N'EST PAS conçu pour détecter la fumée, les incendies ou tout autre gaz. NE PAS installer l'appareil dans le garage. NE PAS installer le détecteur CM-E1 dans un endroit où la température ambiante normale est inférieure à 4,4°C (40°F) ou supérieure à 37,8°C (100°F), ou à moins de 1,5 mètre (5 pieds) d'un appareil

de cuisson ou de chauffage. Le tableau de commande d'alarme doit être utilisé pour la détection du CO ou être équipé de dispositifs d'alarme fournissant une alarme distincte pour la détection du monoxyde de carbone. Ne pas raccorder le détecteur CM-E1 aux circuits de transmission.

 **MISE EN GARDE**

Le détecteur CM-E1 peut ne pas fonctionner efficacement à des températures inférieures à 4,4°C (40°F) ou supérieures à 37,8°C (100°F). L'utilisation du détecteur au-delà de cette plage de températures peut nuire au bon fonctionnement du produit et provoquer des problèmes de santé ou la mort. (UL 2034)

Description générale

Le détecteur CM-E1 est destiné à être utilisé avec les tableaux de commande d'alarme répertoriés UL - incendie ou vol, dotés d'une alimentation 12 à 24 VCC et de circuits de déclenchement d'alarme 12 à 24 VCC. Le détecteur CM-E1 est conçu pour être installé dans les bâtiments, dans les endroits non dangereux tels les résidences, les magasins de détail, les immeubles de bureaux et les bâtiments institutionnels.

Caractéristiques

- **Répertoire UL 2075** conformément à la norme en matière de sécurité sur les détecteurs et capteurs de gaz et de vapeurs.
- **Mis à l'essai - conforme à la norme UL 2075** - en se fondant sur les limites établies selon les dispositions de la norme 2034 sur le monoxyde de carbone.
- Montage mural à l'aide du boîtier arrière du coffret fourni.
- Montage encastré dans un boîtier électrique simple de 2 x 4 pouces (1 1/2 pouce de profondeur minimum) [5,08 x 10,16 cm (3,81 cm de profondeur minimum)] avec interrupteurs jumelés, ou de modèle « handy ».
- Appareil de petite taille, extra plat et esthétique contenu dans un boîtier en plastique blanc.
- Alarmes de détection correspondant à plusieurs niveaux d'exposition au **monoxyde de carbone** en fonction des expositions au gaz présent (moyennes pondérées intégrées dans le temps).
- Bon marché, facile à installer. La commande par micro-ordinateur permet un fonctionnement presque entièrement automatique.
- L'interrupteur Test/Réinitialisation permet d'effectuer des essais internes et d'actionner le relais d'alarme.
- Affichage : VERT - Fonctionnement normal.
- AMBRE CLIGNOTANT - Panne. Contacter l'installateur ou l'Assistance technique de 3M.
- ROUGE - Danger! Respirer immédiatement de l'air frais (situation dangereuse).
- Capteur électrochimique hautement linéaire.
- Relais d'alarme SPST normalement ouvert (NO) ou normalement fermé (NF) et relais de panne SPST normalement fermé (NF) pour raccordement aux tableaux de commande d'alarme.
- Avertisseur : produit de fortes impulsions sonores répétées pendant l'alarme et émet un signal sonore si une panne est détectée au niveau du capteur.

Spécifications

- Tension : 9-32 VCC
- Courant (fonctionnement normal/situation d'alarme) : 15 mA/35 mA à 9-32 V
- Taille : 7.94 x 13.02 x 3.81 cm (3 1/8 x 5 1/8 x 1 1/2 pouces)
- Relais d'alarme : SPST, 100 mA, 40 VCC
- Relais de panne : SPST, 100 mA, 40 VCC
- Puissance de l'avertisseur : 85 dBA à 10 pieds
- Poids à l'expédition : une livre
- Plage de températures de fonctionnement : 4,4°C (40°F) à 100°F (37,8°C)
- Réglage d'alarme : conformément à la norme UL 2034
- Couleur : blanc
- Conçu pour être utilisé avec un tableau de commande d'alarme répertorié UL - incendie ou vol.

DIRECTIVES D'INSTALLATION ET D'UTILISATION

Les directives ci-dessous constituent le guide d'utilisation du détecteur de monoxyde de carbone Macurco™ CM-E1 3M™. Elles ne sont pas exhaustives et ne remplacent pas les politiques et procédures établies dans chaque installation.

MISE EN GARDE

Ce détecteur permet de détecter la présence et la concentration de monoxyde de carbone. Une mauvaise utilisation peut produire des lectures inexactes, ce qui signifie qu'il peut y avoir une concentration plus élevée du gaz détecté dans l'air, ce qui risque d'entraîner une surexposition et de **provoquer des problèmes de santé ou la mort**. Pour tout renseignement sur l'utilisation adéquate de ce produit, consulter son superviseur, lire les *Directives d'utilisation* ou communiquer, au Canada, avec le Service technique de 3M au 1 800 267-4414.

Emplacement

Il existe deux sources habituelles de monoxyde de carbone dans les locaux d'habitation : sources de chaleur défectueuses (chaudières ou poêles à bois), et automobiles dont le moteur tourne dans les garages attenants. Le détecteur CM-E1 peut détecter le monoxyde de carbone (CO) provenant de ces sources ainsi que d'autres sources.

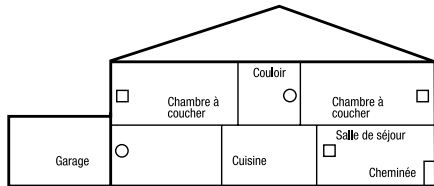
Pour obtenir un fonctionnement optimal, installer un détecteur CM-E1 dans le couloir à proximité de chaque chambre à coucher. Un autre détecteur CM-E1 peut également être installé juste à côté de la porte menant au garage attenant. Penser à placer un autre détecteur dans une chambre à coucher adjacente à la pièce où se trouve l'appareil de chauffage.

MISE EN GARDE

Ce produit est conçu pour être utilisé à l'intérieur, à des emplacements courants, dans les unités résidentielles et les bureaux. Le détecteur CM-E1 n'est pas conçu pour évaluer la conformité aux normes industrielles ou commerciales de la Loi sur la santé et la sécurité du travail. (UL 2034)

NE PAS installer l'appareil dans le garage. NE PAS installer le détecteur CM-E1 dans un endroit où la température ambiante normale est inférieure à 4,4°C (40°F) ou supérieure à 37,8°C (100°F), ou à moins de 1,5 mètre (5 pieds) d'un appareil de cuisson ou de chauffage.

Installation

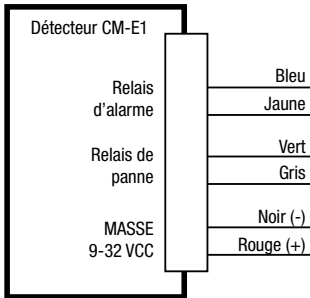


NOTES D'EMPLACEMENT

1. ○ Emplacement normal du détecteur CM-E1
2. □ Autre emplacement du détecteur CM-E1
3. NE PAS installer le détecteur CM-E1 à moins de 1,5 mètre (5 pi) d'un appareil de cuisson.

1. À la livraison du détecteur CM-E1, la plaque frontale est déjà fixée sur le boîtier arrière du coffret. Cette configuration permet de monter l'appareil et de l'encastrer dans le mur. Les câbles sont acheminés via une zone d'accès située sur la base du boîtier arrière.
2. Un composant du coffret (plaque intermédiaire fine) est également fourni avec le CM-E1. Cette plaque intermédiaire sert à fixer le détecteur CM-E1, à l'aide des vis fournies, sur un boîtier électrique avec interrupteurs jumelés de 5.08 cm x 10.16 cm (2 x 4 pouces) (simple ou modèle « handy ») fourni par l'installateur. Le couvercle du détecteur CM-E1 (sur lequel est déjà fixé le détecteur) est ensuite installé sur la plaque intermédiaire.

3. Le détecteur peut être installé au plafond ou sur un mur. Pour les plafonds en pointe, en pignon ou en pente, le détecteur doit être installé à une distance d'environ 1 mètre (3 pieds) du point le plus haut. L'appareil peut être placé verticalement ou horizontalement sur un mur, de manière à pouvoir lire sans difficulté les informations inscrites à l'avant du CM-E1 (il ne faut pas qu'elles soient à l'envers). NE PAS monter le détecteur CM-E1 dans un angle. Utiliser le même espacement que pour les détecteurs de fumée : entraxe de 9 mètres (30 pieds), 83 mètres carrés (900 pieds carrés) par détecteur.
4. Les raccordements électriques vers le détecteur CM-E1 sont effectués via le câble en spirale à six conducteurs qui est fourni. Le câble en spirale est d'abord raccordé au câblage du tableau de commande au moyen des connecteurs de fils fournis (consulter les schémas pour un raccordement du câble en spirale adapté). Le connecteur du câble en spirale s'adapte ensuite dans le connecteur correspondant situé à l'arrière du détecteur CM-E1, permettant ainsi une installation et un remplacement faciles du détecteur CM-E1. Pour un fonctionnement correct, s'assurer que le détecteur CM-E1 est raccordé à une source d'alimentation **continue** (non commandée par un interrupteur mural). Les valeurs indiquées pour la consommation de courant du détecteur CM-E1 représentent des conditions de consommation extrêmes et **ne varient pas** lorsque la tension CC appliquée varie.
5. Les entrées de la zone du tableau de commande d'alarme doivent se terminer par des résistances de fin de ligne (E.O.L.R.), fournies avec le tableau.
6. Lorsque le détecteur CM-E1 est utilisé avec des circuits de déclenchement normalement fermés, retirer le cavalier.
7. Consulter le schéma de câblage ci-dessous pour obtenir plus de détails sur les raccordements du détecteur CM-E1. 3M Macurco recommande d'utiliser un câble AWG 22 pour les distances inférieures ou égales à 60.96 m (200 pieds), et un câble AWG 18 pour les distances supérieures.



Relais d'alarme : SPST
100 mA, 40 VCC, à contacts
secs, sans polarité

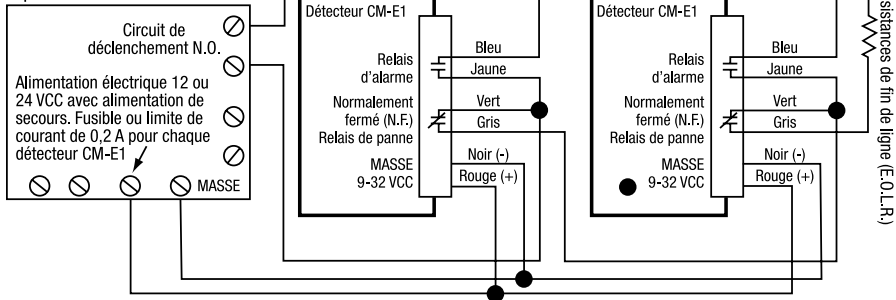
Relais de panne : SPST
100 mA, 40 VCC, à contacts
secs, sans polarité

Source d'alimentation :
9 à 32 VCC

Remarque : Un cavalier permettant de modifier la sortie d'alarme se trouve sur l'ensemble circuits imprimés. Retirer le cavalier pour que les circuits soient normalement fermés (N.F.) ou laisser le cavalier pour qu'ils soient normalement ouverts (N.O.)

Raccordement standard de deux détecteurs CM-E1 à un tableau de commande d'alarme

Tableau de commande d'alarme répertorié UL



Le relais du détecteur CM-E1 est un relais à contact sec d'une puissance de 100 mA, 40 VCC. Il **ne convient pas pour être utilisé comme relais de commande de ventilateur**. Au moment de raccorder des appareils à des avertisseurs distants ou à d'autres dispositifs (tout avertisseur ou « autre dispositif » doit être certifié UL), s'assurer que la charge n'excède pas la puissance du relais. Les avertisseurs externes doivent pouvoir générer un son supérieur à 85 dBA à une distance de 3.048 m (3,04 mètre) (10 pi).

MISE EN GARDE

Lorsque l'appareil est mis en marche, il effectue un auto-test, ce qui active les alarmes sonore et visuelle. En cas d'échec de l'auto-test, ou si les alarmes ne s'activent pas toutes, ne pas utiliser l'instrument. Tout manquement à ces directives peut nuire au bon fonctionnement du produit et **provoquer des problèmes de santé ou la mort.**

Lorsque le détecteur est mis en marche pour la première fois, le voyant d'état passe du ROUGE au VERT pendant que l'appareil effectue un cycle de préchauffage de 2 1/2 minutes et une procédure d'auto-test. L'avertisseur du détecteur CM-E1 effectue un cycle, en émettant 4 bips sonores caractéristiques. À la fin de ce cycle de 2 1/2 minutes, le voyant d'état passe au VERT pour indiquer que l'appareil fonctionne normalement et que l'air est sain. Le relais d'alarme n'est pas alimenté pendant le cycle de préchauffage de 2 1/2 minutes.

Fonctionnement

Le détecteur CM-E1 surveille en permanence l'air ambiant au niveau du capteur. Si le détecteur CM-E1 mesure des niveaux de monoxyde de carbone supérieurs au niveau d'alerte, le voyant ROUGE s'allume, le relais d'alarme bascule pour activer les circuits d'alarme du tableau de commande et l'avertisseur du détecteur CM-E1 sonne. Le détecteur CM-E1 est programmé pour déclencher l'alarme si les niveaux d'alerte de monoxyde de carbone, calculés en fonction du temps et de la concentration, sont dépassés. Les seuils d'alerte sont les suivants : 70 ppm de monoxyde de carbone au bout de 60 à 240 minutes, 150 ppm de monoxyde de carbone au bout de 10 à 50 minutes et 400 ppm de monoxyde de carbone au bout de 4 à 15 minutes, selon les dispositions de la norme UL 2034.

 MISE EN GARDE

Les personnes ayant des problèmes de santé peuvent envisager d'utiliser des dispositifs d'avertissement fournissant des signaux sonore et visuel lorsque les concentrations de monoxyde de carbone sont supérieures à 30 ppm. (UL 2034)

Alarmes

 MISE EN GARDE

Quitter immédiatement l'environnement si celui-ci entraîne le déclenchement de l'alarme du détecteur. **Tout manquement à ces directives peut provoquer des problèmes de santé ou la mort.**

REMARQUE À L'INTENTION DE L'INSTALLATEUR : Afficher les informations UL ci-dessous à proximité du tableau de commande/d'alarme ou fournir au client un exemplaire.



MISE EN GARDE : Le déclenchement de l'alarme au monoxyde de carbone indique la présence de monoxyde de carbone (CO) pouvant **ENTRAÎNER LA MORT**. Si le signal d'alarme retentit :

- 1) Actionner le bouton Réinitialisation/Sourdine.
- 2) Appeler les services d'urgence (_____) [service d'incendie ou 911].
- 3) Respirer immédiatement de l'air frais (sortir ou ouvrir une porte/fenêtre). **COMPTEZ LE NOMBRE DE PERSONNES POUR VÉRIFIER QUE TOUTES SONT PRÉSENTES - NE PAS ENTRER À NOUVEAU DANS LES LOCAUX OU NE PAS S'ÉLOIGNER DE LA PORTE/FENÊTRE OUVERTE JUSQU'À CE QUE LES SERVICES D'URGENCE ARRIVENT, QUE LES LOCAUX SOIENT AÉRÉS ET QUE TOUT REDEVienne NORMAL AU NIVEAU DE L'ALARME.**
- 4) Après avoir suivi les étapes 1 à 3, si vous entendez l'alarme se déclencher à nouveau dans les 24 heures, répéter les étapes 1 à 3 et faire appel à un technicien qualifié (_____) pour qu'il trouve les fuites de monoxyde de carbone au niveau du matériel et des appareils de combustion et qu'il vérifie le bon fonctionnement de ce matériel. Si des problèmes sont identifiés au cours de cette vérification, faire réparer le matériel immédiatement. Remarque : Pour tout matériel de combustion non contrôlé par le technicien, consulter le mode d'emploi du fabricant ou contacter directement le fabricant pour obtenir de l'information sur les mesures de sécurité à appliquer en présence de monoxyde de carbone et le matériel.

S'assurer qu'aucun véhicule ne fonctionne ou n'a fonctionné dans un garage attenant ou à proximité de la résidence. (UL 2034)

MISE EN GARDE

Les symptômes suivants sont liés à une INTOXICATION AU MONOXYDE DE CARBONE et il est important d'en discuter avec TOUS les membres du foyer :

- Faible exposition : mal de tête léger, nausée, vomissements, fatigue (symptômes souvent semblables à ceux de la grippe).
- Exposition moyenne : mal de tête tenace avec sensations de battements, somnolence, confusion, pouls rapide.
- Exposition très importante : évanouissement, convulsions, arrêt respiratoire et mort.

De nombreux cas rapportés d'INTOXICATION AU MONOXYDE DE CARBONE indiquent que même si les victimes sont conscientes du fait qu'elles ne se sentent pas bien, leur désorientation est telle qu'elles sont incapables d'agir et de quitter les lieux ou encore d'appeler au secours, au risque de perdre la vie. Les jeunes enfants et les animaux de compagnie peuvent être les premiers touchés. Des expositions transitoires au monoxyde de carbone peuvent se produire dans les situations suivantes :

1. Rejets excessifs ou ventilation inversée des appareils de combustion due aux conditions météorologiques, telles que :
 - a) Direction et/ou vitesse du vent, y compris fortes rafales de vent. Air lourd dans les tuyaux de ventilation (air froid/humide avec périodes prolongées entre les cycles).
 - b) Pression différentielle négative résultant de l'utilisation de ventilateurs aspirants.
 - c) Fonctionnement simultané de plusieurs appareils de combustion et manque d'air interne.
 - d) Raccordements des tuyaux de ventilation de sècheuses, d'appareils de chauffage et de chauffe-eau desserrés du fait des vibrations.
 - e) Obstruction ou utilisation de types de tuyaux de ventilation non conventionnels pouvant amplifier les situations susmentionnées.

MISE EN GARDE

2. Fonctionnement prolongé d'appareils de combustion non-ventilés (cuisinière, four, cheminée, etc.).
 3. Inversions de température pouvant retenir les gaz d'échappement au niveau du sol.
 4. Voiture tournant au ralenti dans un garage, ouvert ou fermé, attendant ou à proximité de la maison.
- (UL 2034)

L'alarme du détecteur CM-E1 cessera une fois que le monoxyde de carbone présent dans l'air de sera dissipé. La durée de l'alarme sonore dépend de la durée de l'exposition et de la concentration en monoxyde de carbone.

Interrupteur Réinitialisation/Sourdine

L'interrupteur situé à l'avant du détecteur CM-E1 et appelé « TEST/RÉINITIALISATION » permet d'effectuer les trois opérations suivantes :

- 1) Une brève pression sur l'interrupteur, pendant moins de 5 secondes, permet de faire passer l'appareil en mode d'auto-test sans activer le relais d'alarme. L'avertisseur sonne pendant deux cycles d'alarme complets, le voyant d'état passe au rouge pendant 5 secondes, puis alterne lentement entre le vert et l'ambre pendant l'auto-test. Le logiciel de contrôle simule un environnement avec une concentration de monoxyde de carbone de 3 000 ppm et déclenche l'alarme de l'appareil au bout d'une minute environ. Lorsque cela se produit, le voyant d'état passe au rouge et l'avertisseur sonne pendant deux cycles d'alarme complets. L'appareil repasse ensuite en mode de fonctionnement normal.
- 2) Une longue pression sur l'interrupteur, pendant 5 secondes ou plus, permet de faire passer l'appareil en mode d'auto-test avec activation du relais d'alarme. Le fait de maintenir enfoncé l'interrupteur déclenche l'avertisseur pendant

deux cycles d'alarme complets et fait passer le voyant au rouge pendant 5 secondes, puis à l'ambre. Ensuite, le relais d'alarme est activé et l'interrupteur peut être relâché. Au bout de 5 secondes environ, le relais d'alarme s'éteint et le voyant d'état passe lentement du vert à l'ambre pendant l'auto-test. Le logiciel de contrôle simule un environnement avec une concentration de monoxyde de carbone de 3 000 ppm et déclenche l'alarme de l'appareil au bout d'une minute environ. Lorsque cela se produit, le voyant d'état passe au rouge et l'avertisseur sonne pendant deux cycles d'alarme complets. L'appareil repasse ensuite en mode de fonctionnement normal.

- 3) Si l'alarme du détecteur CM-E1 a été déclenchée en raison d'une détection de monoxyde de carbone, appuyer une fois sur le bouton pour mettre l'alarme en sourdine pendant cinq minutes. Si, après le délai de cinq minutes, l'appareil détecte toujours la présence monoxyde de carbone, le voyant lumineux passera encore au ROUGE, le relais de l'alarme fermera et l'alarme sonnera. Si, après le délai de cinq minutes, la concentration en monoxyde de carbone dans l'air a diminué et est inférieure à 70 ppm, le détecteur CM-E1 se réinitialisera.

MISE EN GARDE

Ne pas couvrir ni obstruer l'ouverture de l'alarme sonore ou la DEL de l'alarme visuelle, au risque de nuire au bon fonctionnement du produit et de **provoquer des problèmes de santé ou la mort.**

Indicateur De Panne

Une panne interne du détecteur CM-E1 entraîne l'ouverture du circuit du relais de panne normalement fermé (NF) pour permettre l'activation des circuits du tableau de commande. La DEL d'état de couleur AMBRE clignote et l'avertisseur du détecteur émet un bref « bip » toutes les 50 secondes. Consulter la section ERREURS ci-dessous. Le microprocesseur

du détecteur CM-E1 surveille en permanence différents paramètres de détection. Une panne de l'alimentation électrique interne du détecteur CM-E1 ou une alimentation insuffisante du détecteur entraîne la désactivation du voyant d'état (il ne s'allume pas). Dans ce cas, la cause la plus courante de la panne du détecteur est une coupure de la liaison entre le tableau de commande et le détecteur CM-E1.

Erreurs

Le détecteur CM-E1 surveille en permanence différents paramètres de fonctionnement internes. En cas de détection de panne, l'appareil passe en mode Panne. Voir la section INDICATEUR DE PANNE ci-dessus. Pour rétablir le fonctionnement normal de l'appareil, appuyer sur l'interrupteur TEST/RÉINITIALISATION ou débrancher l'alimentation de l'appareil, attendre quelques secondes, puis la rebrancher. Si le problème persiste, le détecteur doit être réparé; contacter l'installateur du tableau d'alarme ou l'Assistance technique 3M pour obtenir des conseils. Si le détecteur doit être réparé, retourner l'appareil au fabricant au titre de la garantie.

ENTRETIEN

MISE EN GARDE

Ne pas démonter l'appareil ni tenter d'en réparer ou d'en modifier les composants. Ce détecteur ne contient pas de pièces pouvant être réparées par l'utilisateur, et le remplacement des composants risque de nuire au bon fonctionnement du produit et de **provoquer des problèmes de santé ou la mort.**

Le détecteur CM-E1 est équipé d'un détecteur électrochimique hautement linéaire. De plus, il est doté d'une fonction expiration liée à sa date de fabrication, qui fait passer l'appareil en mode Panne lorsque le capteur est expiré. Toutes les opérations d'entretien et de réparation des produits fabriqués par 3M doivent être effectuées au Centre d'assistance 3M™ pour les produits Macurco™. 3M n'approuve pas les autres centres de réparation.

Essai

Le détecteur CM-E1 doit être mis à l'essai tous les mois, en appuyant sur l'interrupteur TEST/RÉINITIALISATION; voir la section sur l'interrupteur TEST/RÉINITIALISATION ci-dessus. Normalement, cet essai est le seul requis pour le détecteur CM-E1 et constitue la méthode recommandée pour mettre à l'essai le ou les appareils après l'installation. Tous les appareils CM-E1 sont étalonnés en usine et entièrement mis à l'essai pour en vérifier le bon fonctionnement. L'appareil peut également effectuer lui-même un auto-test et il procède ainsi à chaque cycle de 2 1/2 minutes. Si l'appareil détecte une tension inadaptée ou un composant défaillant, il passe automatiquement en mode Panne. Consulter la section INDICATEUR DE PANNE ci-dessus. Vérifier si le voyant de l'indicateur d'état du détecteur CM-E1 est allumé (VERT) en continu. Si ce n'est pas le cas, ne pas poursuivre l'essai. Bien qu'il n'existe pas de procédure d'étalonnage sur place pour cet appareil, il en existe une d'essai sur place facultative.

Nettoyage

Le détecteur CM-E1 doit être nettoyé à l'aide d'une brosse souple d'aspirateur. Une fois le détecteur nettoyé, le mettre à l'essai pour s'assurer qu'il fonctionne normalement.

Produits Susceptibles d'endommager le Capteur

Le capteur de gaz du détecteur est extrêmement sensible à l'environnement. Par conséquent, le capteur de monoxyde de carbone peut être endommagé s'il est exposé à une projection directe provenant d'aérosols : peintures, vapeurs de silicone, etc., ou à une haute densité de gaz corrosifs, comme le sulfure d'hydrogène ou le dioxyde de soufre, pendant une période prolongée. Le capteur peut réagir aux produits chimiques tels les décapants contenant de l'ammoniaque, les solvants volatils et l'hydrogène. En concentration suffisante, ces produits chimiques peuvent déclencher une fausse alarme.

MISE EN GARDE : Ce détecteur n'indique que la présence de monoxyde de carbone au niveau du capteur. Le monoxyde de carbone peut être présent dans d'autres zones. Les locaux d'habitation doivent être bien ventilés lorsque des produits de nettoyage ménagers ou d'autres produits polluants sont utilisés. (UL 2034)

LIMITÉE DES PRODUITS DE DÉTECTION DE GAZ FIXES 3M

3M garantit que le détecteur de gaz CM-E1 sera exempt de défauts de matériaux et de fabrication pour une période de deux (2) ans à compter de la date de fabrication (indiquée à l'intérieur du couvercle du détecteur CM-E1), à condition que l'appareil soit entretenu et utilisé conformément aux directives et/ou recommandations de 3M. Si un composant s'avère défectueux pendant la période de garantie, il sera remplacé ou réparé gratuitement, pourvu que l'appareil soit retourné conformément aux directives indiquées ci-dessous. Cette garantie ne s'applique pas aux appareils qui ont été modifiés ou sur lesquels il y a eu tentative de réparation, ou qui ont fait l'objet d'une utilisation trop intense, d'une mauvaise utilisation ou autre. La garantie ci-dessus tient lieu de toute autre garantie expresse, d'obligations ou de responsabilités. LES CONDITIONS OU GARANTIES IMPLICITES DE QUALITÉ MARCHANDE ET D'ADAPTATION À UN USAGE PARTICULIER SONT

LIMITÉES À UNE PÉRIODE DE DEUX (2) ANS À COMPTER DE LA DATE D'ACHAT. 3M ne saurait être tenue responsable des pertes ou dommages fortuits ou conséquents découlant de l'utilisation de ce produit, quelle que soit la théorie juridique dont on se prévaut, y compris celles de responsabilité contractuelle, de violation de garantie ou de toute autre garantie ou condition, explicite ou implicite, en dehors du cadre ou dans le cadre de l'utilisation dudit détecteur de gaz. L'unique obligation du fabricant ou de son agent est de remplacer ou de réparer l'appareil. Si le produit s'avère défectueux, le seul recours exclusif de l'acheteur est de retourner l'appareil ou les pièces, de demander la réparation ou d'en obtenir le remplacement.

**POUR OBTENIR DE PLUS AMPLES RENSEIGNEMENTS/
FOR MORE INFORMATION**

Au Canada, communiquer avec/In Canada, contact :

Internet : www.3M.com/CA/occsafety

Assistance technique/Technical Assistance :

1 800 267-4414

Pour les autres produits 3M/For other 3M products :

1 800 364-3577

Importante: Debe proporcionar estas *Instrucciones* al dueño de la casa o usuario final para la instalación. Toda persona que instale o use este equipo debe leer y entender la información incluida en estas *Instrucciones* antes de utilizarlo. La instalación de este equipo por personas no capacitadas ni calificadas o sin seguir estas *Instrucciones* puede afectar de manera adversa el desempeño del respirador y **ocasionar enfermedad o incluso la muerte**. Para su uso adecuado lea las *Instrucciones*, o llame a 3M en EUA al 1-800-243-4630. En Canadá llame al Servicio Técnico al 1-800-267-4414. En México llame al 01-800-712-0646. O contacte a 3M en su país.

CONTENIDO

INFORMACIÓN GENERAL SOBRE SEGURIDAD.....	52	MANTENIMIENTO.....	73
Uso.....	52	Prueba.....	73
Lista de advertencias y precauciones.....	52	Limpieza.....	74
<i>INSTRUCCIONES Y LIMITACIONES.....</i>	<i>56</i>	Daños al sensor.....	<i>74</i>
Usar para.....	57	GARANTÍA DE LOS PRODUCTOS	
No usar para.....	57	PARA DETECCIÓN DE GAS 3M.....	75
Descripción general.....	58	PARA OBTENER MÁS INFORMACIÓN.....	76
Características.....	59		
Especificaciones.....	60		
INSTRUCCIONES DE INSTALACIÓN Y OPERACIÓN.....	60		
Ubicación.....	61		
Instalación.....	62		
Encendido.....	66		
Operación.....	66		
Alarmas.....	67		
Reinicio/Interruptor Silenciador.....	71		
Indicador de Irregularidades.....	72		
Errores.....	72		

INFORMACIÓN GENERAL SOBRE SEGURIDAD

Uso

El CM-E1 es un detector de bajo voltaje (9-32 VCD) de monóxido de carbono (CO). El CM-E1 está diseñado para conexión de acuerdo con Paneles de control contra robo/alarma de fuego listados por UL. **NOTA:** Cada vez que se usen las palabras “panel de control” o “panel de alarma” o “panel de control de alarma” en estas instrucciones, se refieren a Panel de control contra robo/alarma de fuego listados por UL. Los paneles de control de alarma en 12 ó 24 VCD pueden proveer un respaldo de batería para los detectores CM-E1. Este detector de monóxido de carbono está diseñado para detectar gas de CO desde cualquier fuente de combustión. NO está diseñado para detectar humo, fuego o cualquier otro gas.

Lista de advertencias y precauciones dentro de estas *Instrucciones*

ADVERTENCIA

Toda persona que use este equipo debe leer y entender la información incluida en estas *Instrucciones* antes de utilizarlo. El uso de este equipo por personas no capacitadas ni calificadas o sin seguir estas *Instrucciones* puede afectar de manera adversa el desempeño del respirador y **ocasionar enfermedad o incluso la muerte**. Para su uso adecuado lea las *Instrucciones*, o llame a 3M en EUA al 1-800-243-4630. En Canadá llame al Servicio Técnico al 1-800-267-4414. En México llame al 01-800-712-0646. O contacte a 3M en su país.

ADVERTENCIA

Sólo use para monitoreo del gas para el cual fueron diseñados el sensor y el detector. No hacerlo puede ocasionar exposiciones a gases no detectados y **ocasionar enfermedad o incluso la muerte**. Para su uso adecuado lea las *Instrucciones*, o llame a 3M en EUA al 1-800-243-4630. En Canadá llame al Servicio Técnico al 1-800-267-4414. En México llame al 01-800-712-0646. O contacte a 3M en su país.

No cubra ni obstruya la abertura de la alarma auditiva o el LED de la alarma visual. Hacerlo puede afectar de manera adversa el desempeño del respirador y **ocasionar enfermedad o incluso la muerte**.

No desarme la unidad ni intente repararla o modificar ningún componente del detector. Este detector no contiene partes útiles para otro sistema, la sustitución de los componentes del sistema puede afectar adversamente el desempeño del producto y **ocasionar enfermedad o incluso la muerte**.

Este detector ayuda a monitorear la presencia y nivel de concentración de Gas Monóxido de Carbono. Su mal uso puede generar una lectura incorrecta, lo que significa que es posible que haya mayores niveles de gases de los monitoreados y resultar en sobreexposición y **ocasionar enfermedad o incluso la muerte**. Para su uso adecuado consulte a su supervisor, lea las *Instrucciones*, o llame a 3M en EUA al 1-800-243-4630. En Canadá llame al Servicio Técnico al 1-800-267-4414. En México llame al 01-800-712-0646. O consulte a 3M en su país.

Cuando la unidad está encendida realiza una auto-prueba, que activa la alarma auditiva y visual. No use el equipo de la auto-prueba falla o si las alarmas no se activan. No hacerlo puede afectar de manera adversa el desempeño del respirador y **ocasionar enfermedad o incluso la muerte**.

ADVERTENCIA

Salga de inmediato del ambiente si se activa alguna alarma en el detector. **No hacerlo puede ocasionar enfermedad o incluso la muerte.**

UL 2034

Es probable que el CM-E1 no funcione bien a una temperatura menor de 4.4°C (40°F) o mayor de 37.8°C (100°F). El uso del detector fuera de este rango de temperatura puede afectar adversamente su desempeño y **ocasionar enfermedad o incluso la muerte.**

Este producto fue diseñado para uso en ubicaciones interiores ordinarias en salas u oficinas. El CM-E1 no está diseñado para medir de acuerdo con las normas comerciales o industriales de la Administración de Seguridad y Salud Ocupacional (OSHA por sus siglas en inglés).

Para evitar falsas alarmas, El CM-E1 no esta previsto para detección de niveles bajos de Monóxido de Carbono (por debajo de 30ppm) por UL 2034.

Es probable que los individuos con ciertos problemas médicos consideren el uso de dispositivos con señales auditivas y visuales para concentraciones de monóxido de carbono menores a 30 ppm.

Los siguientes síntomas están relacionados con en ENVENENAMIENTO POR MONÓXIDO DE CARBONO y se deben discutir con todos los miembros del hogar.

Exposición leve: dolor de cabeza ligero, náusea, vómito, fatiga (a menudo descritos como síntomas parecidos a los de la gripe).

Exposición media: dolor de cabeza severo y punzante, somnolencia, confusión, ritmo cardíaco acelerado.

Exposición extrema: pérdida de conocimiento, convulsiones, falla cardiorrespiratoria y muerte.

Muchos casos reportados de ENVENENAMIENTO POR MONÓXIDO DE CARBONO indican que mientras las víctimas están conscientes de no estar bien, pierden el sentido de orientación, por lo que no pueden salvarse al salir del edificio o pedir ayuda. Los niños y mascotas son los primeros afectados.

Situaciones transitorias que pueden ocurrir en el monitor de CO son las siguientes:

1. Si hay un derrame excesivo o si hay entrada de flujo de combustibles ocasionado por las condiciones ambientales, como:
 - a) La dirección del viento o su velocidad, como ráfagas de viento. Aire pesado en la tubería de ventilación (aire frío/húmedo con periodos extendidos entre ciclos).
 - b) Presión negativa diferencial como resultado de ventiladores para extracción.
 - c) Operación simultánea de varios dispositivos con combustible que compiten por el aire interno limitado.
 - d) Vibración de conexiones para ventilación de secadoras, hornos o calentadores de agua.
 - e) La obstrucción o los diseños poco convencionales de tuberías para ventilación pueden amplificar las situaciones antes mencionadas.
2. Operación extendida de quema de combustible sin ventilación (horno, chimenea, etc.)
3. Inversiones de temperatura, que pueden atrapar gases emanados cerca del suelo.
4. El motor de un auto encendido en un garaje abierto o cerrado o cerca de la casa.

PRECAUCIÓN: Este detector sólo indicará la presencia de monóxido de carbono en el sensor. En otras áreas el monóxido de carbono puede estar presente. Los espacios de alojamiento deben estar bien ventilados cuando se usen dispositivos de limpieza o contaminantes similares.

PRECAUCIÓN

- Evite el uso de materiales fuertes de limpieza, abrasivos y otros solventes orgánicos. Estos materiales pueden rayar permanentemente la superficie, dañar el sensor, las etiquetas o el equipo del hogar.
- Si tiene alguna duda acerca de la aplicación de este equipo en su situación laboral, consulte un higienista industrial o llame al Servicio Técnico de 3M OH&ESD en EUA al 1-800-243-4630. En Canadá llame al 1-800-267-4414; en México llame al 01-800-712-0646, o contacte a 3M en su país.

INSTRUCCIONES Y LIMITACIONES

ADVERTENCIA

Toda persona que use este equipo debe leer y entender la información incluida en estas *Instrucciones* antes de utilizarlo. El uso de este equipo por personas no capacitadas ni calificadas o sin seguir estas *Instrucciones* puede afectar de manera adversa el desempeño del respirador y **ocasionar enfermedad o incluso la muerte**. Para su uso adecuado consulte a su supervisor, lea las *Instrucciones*, o llame a 3M en EUA al 1-800-243-4630. En Canadá llame al Servicio Técnico al 1-800-267-4414. En México llame al 01-800-712-0646. O consulte a 3M en su país.

Usar para

El CM-E1 es un detector de bajo voltaje (9-32 VCD) de monóxido de carbono (CO). El CM-E1 está diseñado para conexión de acuerdo con Paneles de control contra robo/alarma de fuego listados por UL. Los paneles de control de alarma en 12 ó 24 VCD pueden proveer un respaldo de batería para los detectores CM-E1. Este detector de monóxido de carbono está diseñado para detectar gas de CO desde cualquier fuente de combustión.

ADVERTENCIA

Sólo use para monitoreo del gas para el cual fueron diseñados el sensor y el detector. No hacerlo puede ocasionar exposiciones a gases no detectados y **ocasionar enfermedad o incluso la muerte**. Para su uso adecuado consulte a su supervisor, lea las *Instrucciones*, o llame a 3M en EUA al 1-800-243-4630. En Canadá llame al Servicio Técnico al 1-800-267-4414. En México llame al 01-800-712-0646. O consulte a 3M en su país.

No usar para

El CM-E1 NO está diseñado para uso en aplicaciones industriales, como en refinerías, plantas de químicos, entre otros. El CM-E1 NO fue desarrollado para uso en garajes como controlador de los sistemas de extracción. No use el CM-E1 para monitorear otros gases que no sea Monóxido de Carbono (CO). El CM-E1 NO está diseñado para detectar humo, fuego o cualquier otro gas. NO monte la unidad en el garaje. NO monte el CM-E1 en lugares donde la temperatura ambiente sea menor a 4.4°C (40°F) o mayor a 37.8°C (100°F) o a una distancia entre 1.5 metros (5 pies) lejos de la estufa o algún equipo de calefacción. El panel de control de alarma debe estar dedicado para la detección de CO o contar con dispositivos de alarma que ofrezcan una alarma distintiva para la detección de monóxido de carbono. No conecte el CM-E1 a los circuitos de alarma de fuego.

ADVERTENCIA

Es probable que el CM-E1 no funcione bien a una temperatura menor de 4.4°C (40°F) o mayor de 37.8°C (100°F). El uso del detector fuera de este rango de temperatura puede afectar adversamente su desempeño y **ocasionar enfermedad o incluso la muerte.** (UL 2034)

Descripción general

El CM-E1 se debe usar con Paneles de control contra robo/alarma de fuego listados por UL con corriente de 12 a 24 VCD y circuitos para inicio de alarma de 12 a 24 VCD. El CM-E1 debe instalarse en edificios en ubicaciones no peligrosas, como residencias, tiendas departamentales, oficinas y edificios institucionales.

Características

- **Listado en UL** norma 2075 para la Norma de seguridad para detectores y sensores de gases y vapores.
- **Probado por UL 2075** con límites de Sensibilidad UL 2034 para gas de monóxido de carbono.
- Montado de superficie a una pared con la caja con la tapa de la parte posterior.
- Se monta en un interruptor de un canal de 1-1/2 pulg (2 x 4 de profundidad mínima) [5.08 cm x 10.16 cm (3.81 cm profundidad máxima)] o en una caja eléctrica.
- Unidad atractiva, de bajo perfil, con una caja plástica color blanco.
- Alarmas detectoras en varios niveles de exposición a monóxido de carbono con base en valores promedio ponderados del gas presente.
- Económico y fácil de instalar. El control de la microcomputadora permite una operación en su mayoría automática.
- El interruptor de prueba y reinicio realiza pruebas internas y activa la alarma.
- Despliegue visual: VERDE – operación normal
- ÁMBAR CENTELLENADO – irregularidad. Contacte a su instalador o al Servicio Técnico 3M.
- ROJO - ¡peligro! Salga a una zona con aire fresco; condición peligrosa.
- Sensor electroquímico lineal
- Relé de alarma normalmente abierto (NO) o normalmente cerrado (NC) unipolar de una sola vía (SPST) y relé de irregularidades NC SPSP para conectar los paneles de control de alarma
- Timbre: Produce un timbre repetitivo durante la alarma, y replica si se encuentra una irregularidad en el sensor.

Especificaciones

- Voltaje: 9-32 VCD
- Corriente (normal / alarma): 15mA / 35mA @ 9-32V
- Tamaño: 3-1/8 x 5-1/8 x 1-1/2 pulg (7.94 x 13.02 x 3.81 cm)
- Relé de alarma: SPST, 100mA, 40VCD
- Relé de irregularidades: SPST, 100mA, 40VCD
- Rango del timbre: 85 dBA a 10 pies
- Peso de transporte: una libra
- Temperatura de operación: Rango: 40°F (4.4°C) a 100°F (37.8°C)
- Programación de alarma: Conforme UL 2034
- Color: blanco
- Está diseñado para conexión de acuerdo con Paneles de control contra robo/alarma de fuego listados por UL.

INSTRUCCIONES DE INSTALACIÓN Y OPERACIÓN

El objetivo de las siguientes instrucciones es ser una guía para el uso del Detector de monóxido de carbono 3M™ Macurco™ CM-E1. No se deben considerar como inclusivas ni deben reemplazar la política ni los procedimientos de cada ubicación o instalación.

ADVERTENCIA

Este detector ayuda a monitorear la presencia y nivel de concentración de Gas Monóxido de Carbono. Su mal uso puede generar una lectura incorrecta, lo que significa que es posible que haya mayores niveles de gases de los monitoreados y resultar en sobreexposición y **ocasionar enfermedad o incluso la muerte**. Para su uso adecuado consulte a su supervisor, lea las *Instrucciones*, o llame a 3M en EUA al 1-800-243-4630. En Canadá llame al Servicio Técnico al 1-800-267-4414. En México llame al 01-800-712-0646. O consulte a 3M en su país.

Ubicación

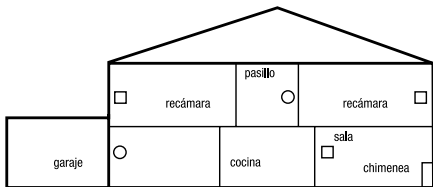
Existen dos fuentes comunes de CO en las casas: las fuentes de calor defectuosas (hornos o estufas de leña) y los automóviles en garajes anexos. El CM-E1 puede detectar CO desde estas fuentes, así como desde otras fuentes de CO.

Para una mejor operación monte el CM-E1 en pasillo cerca de cada área de habitaciones. Además, puede montar otro CM-E1 cerca de la puerta del garaje anexo. Considere colocar otro detector en una habitación adyacente a la habitación donde se encuentre el horno.

ADVERTENCIA

Este producto fue diseñado para uso en ubicaciones interiores ordinarias en salas u oficinas. El CM-E1 no está diseñado para medir de acuerdo con las normas comerciales o industriales de la Administración de Seguridad y Salud Ocupacional (OSHA por sus siglas en inglés). (UL 2034)

NO monte la unidad en el garaje. NO monte el CM-E1 en lugares donde la temperatura ambiente sea menor a 4.4°C (40°F) o mayor a 37.8°C (100°F) o a una distancia entre 1.5 metros (5 pies) lejos de la estufa o algún equipo de calefacción.



NOTAS DE UBICACIÓN

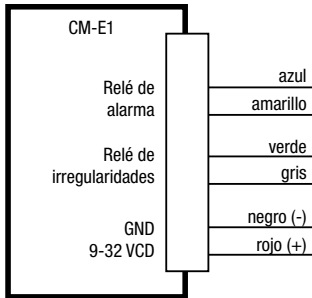
1. ○ Ubicación normal del CM-E1
2. □ Ubicación alternativa del CM-E1
3. NO montar el CM-E1 a una distancia de 1.5 (5 pies) de cualquier electrodoméstico

Instalación

1. La placa del CM-E1 está montada en el componente posterior de la caja. Esta configuración de la caja permite montar la superficie de la unidad sobre una pared. El cableado es enrutado a través de un área de acceso en la base de la parte posterior de la caja.
2. El CM-E1 también incluye un componente de placa mediana y delgada. Con los tornillos incluidos use esta placa delgada para montar el CM-E1 en una caja de 2x4 pulgadas (5.08 cm x 10.16 cm) de un solo canal, proporcionada por el instalador. Entonces debe montar la placa del CM-E1, con el detector anexo, en el componente de la placa delgada.
3. Puede instalar el detector en el techo o sobre una pared. Si lo instala en un techo con superficie aguda o inclinada debe ubicarlo cerca de 1 metro (3 pies) desde el punto más alto. La unidad se puede colocar en posición vertical

u horizontal sobre una pared, de modo que la información en el frente del CM-E1 pueda leerse de manera normal (no al revés). NO monte el CM-E1 en una esquina. Use el mismo espacio que usa para los detectores de humo: 9 metros (30 pies), 83 metros² (900 pies²) por detector.

4. Las conexiones eléctricas al CM-E1 se deben hacer vía el cable *pigtail* de seis conductores incluido. Primero debe conectar el cable *pigtail* al cableado del panel de control por medio de tuercas con cable (consulte los diagramas para el cableado *pigtail* adecuado). Después debe anexar el conector del cable *pigtail* en el conector de empalme en la parte posterior del detector CM-E1, de modo que permita la instalación fácil y el reemplazo del CM-E1. Para una operación correcta del detector asegúrese que el CM-E1 esté conectado a una fuente de energía continua que no esté controlada por un interruptor de pared. La toma de corriente del CM-E1 representa las peores condiciones y no variará conforme varía el voltaje de CD.
5. Las entradas de zona del panel de control de alarma deben terminar con un extremo de resistores de línea (E.O.L.R.), incluidos con el panel.
6. Cuando use un CM-E1 con circuitos de inicio normalmente cerrados, quite el cordón de parcheo (*jumper*).
7. Consulte el diagrama de cableado para obtener información en conexiones del CM-E1. 3M Macurco recomienda mínimo un cable de 22 AWG para corridas hasta de 200 pies (60.96 m), y un cable de 18 AWG para corridas más largas.



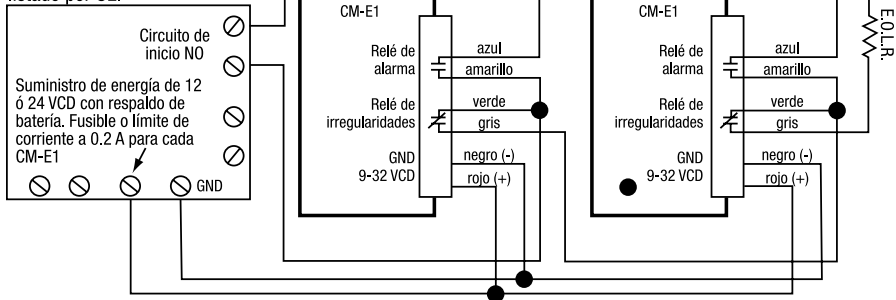
Relé de alarma: SPST 100mA, 40 VCD contactos secos, sin polaridad.

Relé de irregularidades: SPST 100mA, 40 VCD contactos secos, sin polaridad.

Fuente de poder:
9 a 32 VCD

Nota: Hay un cordón de parcheo (*jumper*) en el PCA para cambiar la salida de alarma. Quite el *jumper* para NC o déjelo en su lugar para NO.

Panel de control de alarma
listado por UL.



El relé del CM-E1 es un contacto seco y clasificado a 100mA, 40VCD. **No es adecuado para control de ventilador.** Cuando se conectan las unidades a timbres remotos u otros dispositivos asegúrese que la carga no exceda el rango del relé; todos los timbres u otros dispositivos deben ser aprobados por UL. Los timbres externos deben generar una salida de sonido mayor a 85 dBA a 10 pies (3.048 m).

ADVERTENCIA

Cuando la unidad está encendida realiza una auto-prueba, que activa la alarma auditiva y visual. No use el equipo de la auto-prueba falla o si las alarmas no se activan. No hacerlo puede afectar de manera adversa el desempeño del respirador y **ocasionar enfermedad o incluso la muerte.**

Cuando enciende por primera vez el detector, la luz de estado se alternará entre ROJO y VERDE conforme la unidad pasa por el ciclo de calentamiento de 2-1/2 minutos y el procedimiento de auto-prueba. El timbre en el CM-E1 sólo tendrá un ciclo y emitirá el tono de 4 timbres. Al final de este ciclo de 2-1/2 minutos, la luz de estado se encenderá en VERDE para indicar la operación normal y el aire seguro. El relé de la alarma no está energizado durante el ciclo de calentamiento de 2-1/2 minutos.

Operación

El CM-E1 monitorea de manera continua el aire ambiental en el sensor. Si el CM-E1 mide los niveles de CO mayores al nivel peligroso, la luz ROJA se encenderá, el relé de la alarma cambiará para activar los circuitos de alarma en el panel de control, y el timbre en las unidades CM-E1 sonará. El CM-E1 está programado para que la alarma se active si se exceden los niveles peligrosos de monóxido de carbono, que están relacionados con el tiempo y la concentración. Los puntos de alarma son: 70 ppm de CO después de 60 a 240 minutos, 150 ppm de CO después de 10 a 50 minutos, y 400 ppm de CO después de 4 a 15 minutos, de acuerdo con las provisiones de la Norma 2034 de UL.

 **ADVERTENCIA**

Es probable que los individuos con ciertos problemas médicos consideren el uso de dispositivos con señales auditivas y visuales para concentraciones de monóxido de carbono menores a 30 ppm. (UL 2034)

Alarmas

 **ADVERTENCIA**

Salga de inmediato del ambiente si se activa alguna alarma en el detector. **No hacerlo puede ocasionar enfermedad o incluso la muerte.**

NOTA PARA EL INSTALADOR: Se requiere que la siguiente información UL sea publicada cerca del panel de control/alarma o que se proporcione una copia al cliente.



ADVERTENCIA: La activación de la alarma de CO indica la presencia de monóxido de carbono (CO), lo que puede ocasionar LA MUERTE. Si la alarma suena:

- 1) Active el botón de reinicio/silencio;
- 2) Llame al servicio de emergencia o al departamento de incendio;
- 3) Salga de inmediato a una zona con aire fresco, en el exterior, o abra una puerta/ventana. CUENTE QUE TODAS LAS PERSONAS DEL LUGAR HAYAN SALIDO PARA NO VOLVER A ENTRAR NI ALEJARSE DE LA PUERTA O VENTANA ABIERTAS HASTA QUE LOS SERVICIOS DE EMERGENCIA HAYAN LLEGADO, VERIFIQUE QUE HAYA CIRCULACIÓN DE AIRE Y QUE LA ALARMA PERMANEZCA EN SU CONDICIÓN NORMAL.
- 4) Si la alarma se reactiva en 24 horas, después de seguir los pasos del 1 al 3, repita estos pasos y llame a un técnico calificado para averiguar cuáles son las fuentes de CO y revisar su funcionamiento adecuado. Si durante esta inspección identifica los problemas debe arreglar las averías de inmediato. Nota: Para cualquier equipo de combustión no revisado por el técnico debe consultar las instrucciones del fabricante para obtener más información sobre la seguridad y el equipo.

Asegúrese que los vehículos de motor no estén encendidos y que no hayan sido operados en instalaciones anexas. (UL 2034)

ADVERTENCIA

Los siguientes síntomas están relacionados con en ENVENENAMIENTO POR MONÓXIDO DE CARBONO y se deben discutir con todos los miembros del hogar.

- Exposición leve: dolor de cabeza ligero, náusea, vómito, fatiga (a menudo descritos como síntomas parecidos a los de la gripe).
- Exposición media: dolor de cabeza severo y punzante, somnolencia, confusión, ritmo cardíaco acelerado.
- Exposición extrema: pérdida de conocimiento, convulsiones, falla cardiorrespiratoria y muerte.

Muchos casos reportados de ENVENENAMIENTO POR MONÓXIDO DE CARBONO indican que mientras las víctimas están conscientes de no estar bien, pierden el sentido de orientación, por lo que no pueden salvarse al salir del edificio o pedir ayuda. Los niños y mascotas son los primeros afectados.

ADVERTENCIA

Las situaciones de CO transitorio pueden ocurrir:

1. Si hay un derrame excesivo o si hay entrada de flujo de combustibles ocasionado por las condiciones ambientales, como:
 - a) La dirección del viento o su velocidad, como ráfagas de viento. Aire pesado en la tubería de ventilación (aire frío/húmedo con periodos extendidos entre ciclos).
 - b) Presión negativa diferencial como resultado de ventiladores para extracción.
 - c) Operación simultánea de varios dispositivos con combustible que compiten por el aire interno limitado.
 - d) Vibración de conexiones para ventilación de secadoras, hornos o calentadores de agua.
 - e) La obstrucción o los diseños poco convencionales de tuberías para ventilación pueden amplificar las situaciones antes mencionadas.
2. Operación extendida de quema de combustible sin ventilación (horno, chimenea, etc.)
3. Inversiones de temperatura, que pueden atrapar gases emanados cerca del suelo.
4. El motor de un auto encendido en un garaje abierto o cerrado o cerca de la casa.

(UL 2034)

El CM-E1 se reiniciará saldrá del modo de alarma una vez que se limpie el aire. El tiempo para detener la alarma dependerá del tiempo de exposición a CO y el nivel de CO.

Reinicio/Interruptor Silenciador

El interruptor al frente del CM-E1 etiquetado como “PRUEBA/REINICIAR”, realiza tres funciones.

- 1.) Pulsar por un momento el interruptor, menos de 5 segundos, activará la unidad en modo de auto-prueba sin la activación de la alarma. El timbre sonará por dos ciclos completos de alarma, la luz de estado se encenderá en rojo por 5 segundos, y luego alternará lentamente entre verde y ámbar mientras ejecuta la auto-prueba. El *software* de control simula un ambiente de 3000 ppm en el ambiente y activa la alarma después de alrededor de un minuto. Cuando esto sucede la luz de estado se enciende en rojo y el timbre suena por dos ciclos de alarma completos. Después, la unidad regresará a la operación normal.
- 2.) Pulsar por un momento el interruptor, 5 segundos o más, activará la unidad en modo de auto-prueba con la activación de la alarma. Pulsar y mantener oprimido el interruptor hará que timbre suene por dos ciclos de alarma completos y la luz de estado se encenderá en rojo por 5 y luego cambia a color ámbar. Entonces se activará la alarma y se puede liberar el interruptor. Después de cerca de 5 segundos, la alarma se apagará y la luz de estado alternará lentamente entre verde y ámbar mientras se ejecuta la auto-prueba. El *software* de control simula un ambiente de 3000 ppm en el ambiente y activa la alarma después de alrededor de un minuto. Cuando esto sucede la luz de estado se enciende en rojo y el timbre suena por dos ciclos de alarma completos. Después, la unidad regresará a la operación normal.
- 3.) Si el CM-E1 se encuentra en condición de alarma por la detección de monóxido de carbono, debe pulsar una vez el interruptor de timbre para silenciarlo por cinco minutos. Después de cinco minutos, si todavía hay presencia de CO, la luz de estado se cambiará de nuevo a ROJO, la alarma se cerrará y el timbre sonará. Si después de cinco minutos el nivel detectado de CO cae debajo de 70 ppm, el CM-E1 se reseteará.

ADVERTENCIA

No cubra ni obstruya la abertura de la alarma auditiva o el LED de la alarma visual. Hacerlo puede afectar de manera adversa el desempeño del respirador y **ocasionar enfermedad o incluso la muerte.**

Indicador de Irregularidades

Las fallas internas del CM-E1 ocasionarán un circuito abierto en el relé de irregularidades normalmente cerrado (NC) que activará el control de los circuitos del panel. El LED de estatus centelleará en luz ÁMBAR y el timbre del CM-E1 emitirá un timbre corto cada 50 segundos. Consulte la sección ERRORES más adelante. El microprocesador del CM-E1 monitorea varios parámetros del detector. La falla del suministro de energía interno del CM-E1 o la falta de energía al detector ocasionará que la luz permanezca APAGADA (no iluminada). En este caso la causa más común del problema sería una interrupción en el cableado entre el panel de control y el CM-E1.

Errores

El CM-E1 monitorea varios parámetros de operación interna. Si encuentra el problema, la unidad cambiará a modo de irregularidades. Consulte la sección INDICADOR DE IRREGULARIDADES que se encuentra anteriormente. Para reiniciar la unidad a operación normal, pulse el interruptor TEST/RESENT (PRUEBA/REINICIO) o apague la unidad, espere unos minutos y vuelva a encender la unidad. Si este problema persiste, significa que su detector requiere alguna reparación, contacte al instalador del panel de alarma o a 3M. Si requiere alguna reparación regrese la unidad al fabricante de acuerdo con lo estipulado en la garantía.

MANTENIMIENTO

ADVERTENCIA

No desarme la unidad ni intente repararla o modificar ningún componente del detector. Este detector no contiene partes útiles para otro sistema, la sustitución de los componentes del sistema puede afectar adversamente el desempeño del producto y **ocasionar enfermedad o incluso la muerte.**

El CM-E1 cuenta con un sensor electromecánico lineal. El CM-E1 cuenta con una función de caducidad relacionada con la fecha de fabricación, que hará que unidad pase al estado de falla de irregularidad cuando el sensor ha expirado. Toda acción de mantenimiento y reparación de los productos manufacturados por 3M se debe realizar con un Centro de Servicio 3M autorizado. 3M no sanciona las reparaciones con un tercero.

Prueba

El CM-E1 debe probarse cada mes al pulsar el interruptor PRUEBA/REINICIO, consulte la sección correspondiente. Por lo regular ésta es una prueba requerida por el CM-E1 y se recomienda como forma de prueba de la unidad o unidades después de su instalación. Todas las unidades CM-E1 viene calibradas desde fábrica y 100% probadas para su correcta operación. La unidad también cuenta con la capacidad de auto-prueba automática y lo hace cada ciclo de 2-1/2 minutos. Si la unidad detecta un voltaje inadecuado o un componente no operable automáticamente se cambiará a modo de irregularidades. Consulte la sección INDICADOR DE IRREGULARIDADES que se encuentra anteriormente. Revise que la luz indicadora de estado del CM-E1 esté iluminada (VERDE) continuamente. Si no es así, no proceda con las pruebas. Aunque

no haya un campo de procedimiento de calibración para esta unidad hay un campo opcional de procedimiento de prueba.

Limpieza

El CM-E1 debe limpiarse con el cepillo suave de una aspiradora. El CM-E1 debe probarse después de la limpieza para asegurar su operación normal.

Daños al sensor

El sensor de gas en el detector está diseñado con extrema sensibilidad al ambiente. Como resultado, el sensor CO puede dañarse si está expuesto al rociado directo de aerosoles, como pinturas, vapores de silicón, entre otros, o a una alta densidad de gases corrosivos, como ácido sulfhídrico o dióxido de azufre por un periodo largo. El sensor puede reaccionar a químicos, como los de los agentes de limpieza con amoníaco, solventes volátiles y gas de hidrógeno. En concentraciones suficientes estos químicos pueden activar una falsa alarma.

PRECAUCIÓN: Este detector sólo indicará la presencia de monóxido de carbono en el sensor. En otras áreas el monóxido de carbono puede estar presente. Los espacios de alojamiento deben estar bien ventilados cuando se usen dispositivos de limpieza o contaminantes similares. (UL 2034).

GARANTÍA DE LOS PRODUCTOS PARA DETECCIÓN DE GAS 3M

3M garantiza que el detector de gas CM-E1 no presentará ningún defecto en el material y la mano de obra por un periodo de 2 (dos) años a partir de la fecha de manufactura, la cual se indica en la cubierta interior del equipo, siempre y cuando se mantenga y use de acuerdo con las instrucciones y/o recomendaciones 3M. Si algún componente presenta algún defecto durante el periodo de garantía se reemplazará o reparará sin costo alguno si regresa la unidad de acuerdo con lo establecido a continuación. Esta garantía no aplica si la unidad ha sido alterada o reparada por algún tercero, o si ha sido sujeta a maltrato, accidental o premeditado. La garantía anterior se otorga en lugar de otras garantías expresas, obligaciones o responsabilidades. **LAS GARANTÍAS IMPLÍCITAS DE COMERCIALIZACIÓN Y PERSONALIZACIÓN PARA UNA APLICACIÓN PARTICULAR SE LIMITAN A UN PERIODO DE 2 (DOS) AÑOS A PARTIR DE LA FECHA DE COMPRA.** 3M Macurco no será responsable por ningún daño incidental o consiguiente por incumplimiento de ésta u otra garantía, expresa o implícita, ocasionada o relacionada con el uso del detector de gas en cuestión. La responsabilidad del fabricante o sus agentes se limitará al reemplazo o la reparación como se estableció con anterioridad. El recurso exclusivo del comprador es regresar la devolución del equipo y el reembolso del precio de compra, la reparación o el reemplazo del equipo o las partes defectuosas.

PARA OBTENER MÁS INFORMACIÓN
En Estados Unidos:

Internet: www.3M.com/occsafety



En México llame:

*Centro de Respuesta
al Cliente*

52•70•2042

52•70•2255

52•70•2152

Información Técnica

01•800•712•0646

O llame a 3M en su localidad.

**3M Occupational Health and
Environmental Safety Division**

3M Center, Building 0235-02-W-70
St. Paul, MN 55144-1000

Printed in U.S.A.

3M and Macurco are trademarks
of 3M.

© 2009 3M Company.

All rights reserved.

**3M Occupational Health and
Environmental Safety Division**

3M Center, Building 0235-02-W-70
St. Paul, MN 55144-1000

**Division des produits d'hygiène
industrielle et de sécurité
environnementale de 3M
Compagnie 3M Canada**

C.P. 5757

London (Ontario) N6A 4T1

Imprimé aux É.-U.

3M and Macurco are trademarks of
3M. Used under license in Canada.

3M et Macurco sont des marques
de commerce de 3M, utilisées sous
licence au Canada.

© 3M, 2009. Tous droits réservés.

3M México S.A. de C.V

Av. Santa Fe No. 190
Col. Santa Fe, Del. Álvaro Obregón
México D.F. 01210

Impreso en EUA

3M y Macurco son marcas
comerciales de 3M.

© 2009 3M Company. Todos los
derechos reservados.


98-0060-0148-5

Rev: 05-01-09

34-8703-3249-0



Requester: Farrel Allen
Creator: deZinnia
File Name: 34870332490.indd
Structure #: SS-21254
Date: 06/29/09

Scale:  1 Inch

Printed Colors – Front:



Printed Colors – Back:



Match Colors:

This artwork has been created as requested by 3M. 3M is responsible for the artwork AS APPROVED and assumes full responsibility for its correctness.